

Installation instructions

2015-11-30

Kebony Norge AS

Tel +47 06125

www.kebony.com
info@kebony.com



Kebony cladding

General information

The base construction must be completed in accordance with good building practise, applicable standards and regulations.

For information about cleaning and maintenance, refer to Kebony's Use & Maintenance documentation.

Mounting

Rust-proof (A2) or acid-proof (A4) mounting fixtures must be used. Mounting fixtures with another type of corrosion protection can result in black stain round the mounting holes.

Kebony cladding can be installed with screws or nails. When using a nail gun, be sure to use rubber footings. In order to prevent the ends of the boards from cracking, always pre-drill holes in the edge of the board prior to mounting.

Self-drilling screws are recommended. When using traditional wood screws, Kebony clear (SYP/Radiata) products must always be pre-drilled. Even if using self-drilling screws, always pre-drill holes in the edge of the board prior to mounting.

Metal fixtures

Kebony can be used with aluminium fixtures and enamelled or foiled fixtures without discolouration.

However, in some cases surface water runoff from Kebony products can result in discolouration of adjoining materials, for example black stains on zinc plated fixtures/fittings, or copper fixtures where exposed parts of the fixtures remain polished.

Drainage from galvanized or iron-based fixtures onto Kebony products can result in black stains on the wood.

Treatment of cut ends and surface treatment

Kebony does not require any surface treatment. If desired, UV-protective wood oil or stain can be used to maintain some of the original brown colour. Kebony can also be painted or stained if you want to change the colour. Remember that treated surfaces require regular maintenance.

Cut surfaces on Kebony character must be treated with an anti-parasite/fungal agent. Follow the manufacturer's instructions.

Cut surfaces on Kebony clear do not require any special treatment as are homogeneously treated.

Installation instructions

2015-11-30

Kebony Norge AS

Tel +47 06125

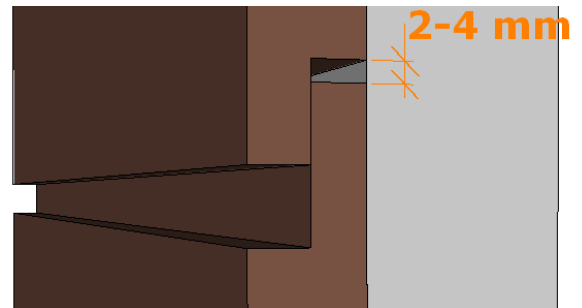
www.kebony.com

info@kebony.com



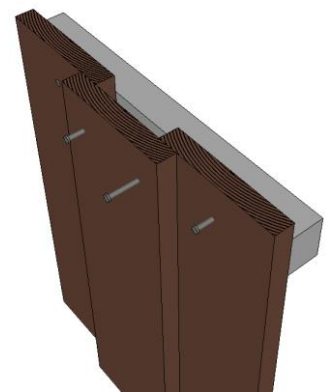
Grooved opening

Kebony is dried during production and therefore there may be some swelling when it is installed outdoors. Slat and shiplap cladding should be installed with a 2-4 mm gap.

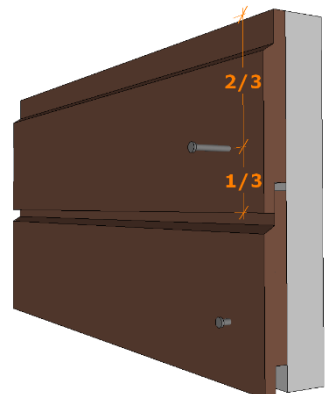


Mounting

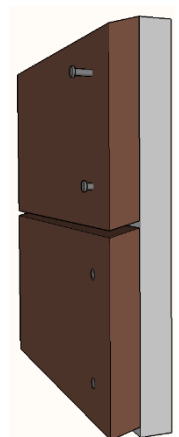
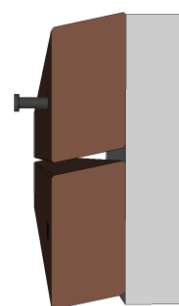
For rectangular cladding, a joist is installed with a screw/nail in each stud, while the lintel is mounted with two screws/nails. Screws/nails must never go through two overlapping boards.



Shiplap cladding should be installed with one screw/nail for each stud. Secure the screw/nail approx. 1/3 in from the edge of the board, so that the pressure on the overlapping boards is as great as possible.



Slat and barn cladding with a width of up to 73 mm should be mounted using one screw/nail in each stud. For larger boards, use two screws/nails in each stud.



Installation instructions

2015-11-30

Kebony Norge AS

Tel +47 06125

www.kebony.com

info@kebony.com



"Melsomslat" should be installed with one screw/nail for each stud. The screws/nails should be angled approximately 45 degrees.

